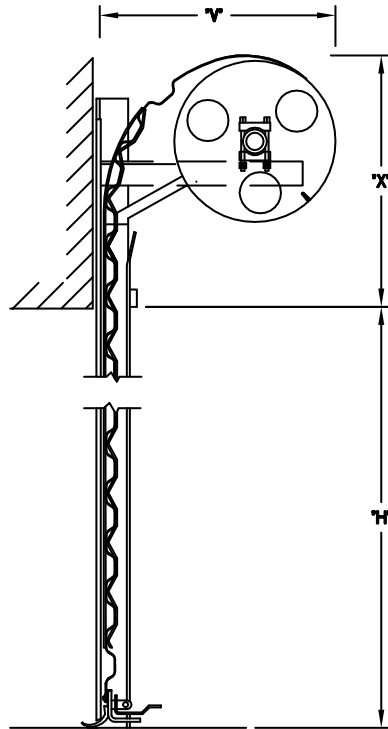
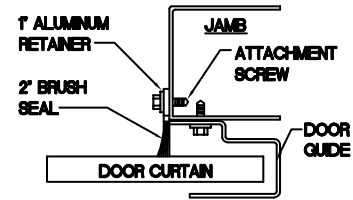


**ELEVATION**

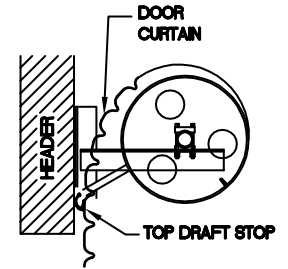


**SECTION-A-A**

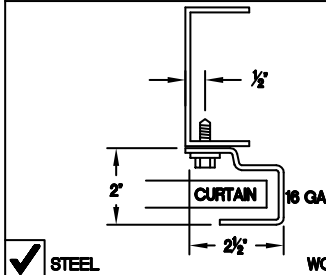
**JAMB BRUSH SEAL DETAIL**



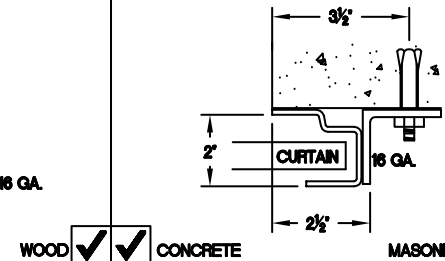
**TOP DRAFT STOP DETAIL**



**GUIDE DETAILS**



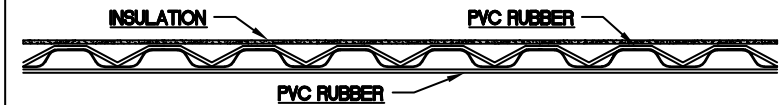
STEEL



WOOD  CONCRETE

MASONRY

**STANDARD CURTAIN**



**GENERAL NOTES:**

**CURTAIN:**

- 26 GAUGE GALVANIZED STEEL WITH BAKED ON EPOXY PRIMER AND POLYESTER TOP COAT

**GUIDES:**

- ROLL FORMED 16 GAUGE GALVANIZED STEEL

**OPERATION:**

- RIGHT HAND SHOWN, LEFT HAND OPPOSITE

**INSULATION:**

- MYLAR AND POLYETHYLENE INSULATION LAMINATED TO BACK OF CURTAIN.

**OTHER SURFACES:**

- GALVANIZED OR SHOP COAT PRIMER

**SIDE ROOM REQUIREMENTS**

**SEE 'ELEVATION'**

<input checked="" type="checkbox"/>	CHOOSE TYPE OF OPERATION BELOW	A-1	A-2
<input checked="" type="checkbox"/>	HAND-ROPE PULL	6"	6"
<input checked="" type="checkbox"/>	REDUCTION GEAR CHAIN HOIST	10"	6"
<input checked="" type="checkbox"/>	ELECTRIC MOTOR OPERATOR KIT	10"	6"

MRK.	QTY.	OPENING SIZE		OPERATION	R.H.	CLEARANCES		OPTION
		WIDTH "W"	HEIGHT "H"			L.H.	"X"	

**PROJECT:**  
**ARCHITECT:**  
**CONTRACTOR:**  
**DISTRIBUTOR:**

**ASTAAMERICA**  
 BY JANUS INTERNATIONAL

4255 McEver Industrial Dr.  
 Acworth, GA 30101  
 PH(770) 974-2600  
 Fax(770) 974-1455  
 www.astadoor.com

**DATE:**      **SHEET:**      **OF:**      **BY:**      **REF.#**

**MODEL 202 INSULATED COMMERCIAL SHEET DOOR**

Asta Door Corporation is not responsible for the use of improper installation procedures, structural supports as well as field inspection prior to manufacturing and installation.

**APPROVAL SIGNATURE:** \_\_\_\_\_ **DATE:** \_\_\_\_\_