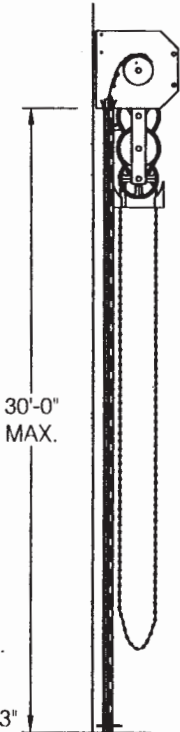
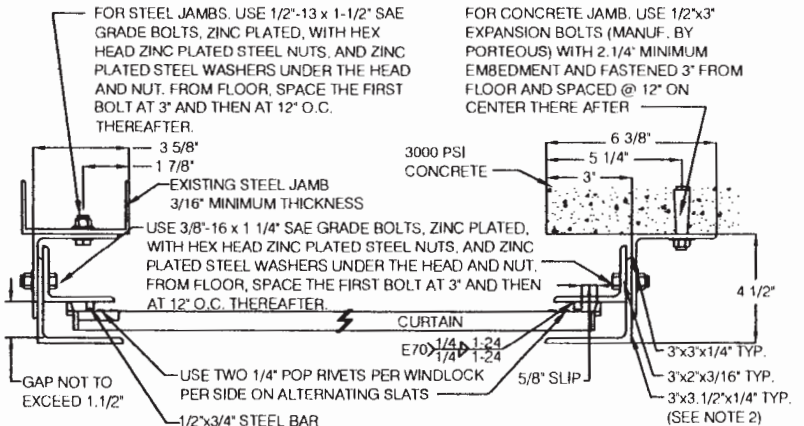


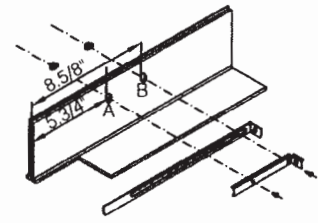
INTERIOR ELEVATION



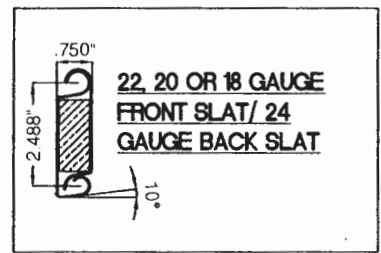
SIDE ELEVATION



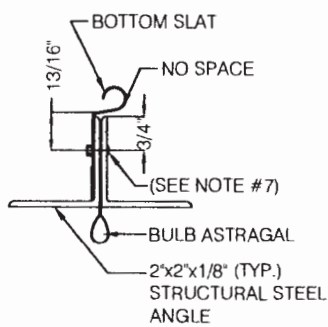
GUIDE DETAIL AND DIMENSIONS



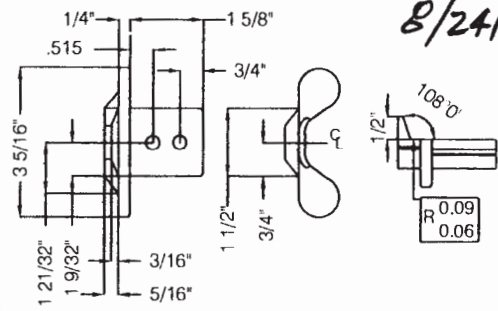
SLIDE BOLT LOCK



22, 20 OR 18 GAUGE FRONT SLAT/ 24 GAUGE BACK SLAT

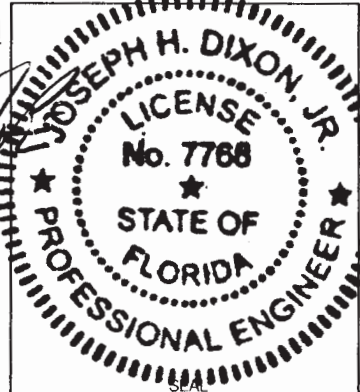


BOTTOM BAR



MATERIAL: CAST IRON WINDLOCK

J. H. Dixon, Jr.
8/24/12



ASTA AMERICA
BY JANUS INTERNATIONAL

4255 McEver Industrial Dr.
Acworth, GA 30101
PH: (770) 924-2600/Fax: (770) 974-1455
www.astadoor.com

600 SERIES INSULATED SLAT CERTIFIED WINDLOAD AND IMPACT RATED ROLLING STEEL SERVICE DOOR

SCALE: VARIES (DO NOT SCALE DRAWINGS)	TEST SIZE 18'-6"W x 10'H	DESIGN PRESSURE +50.0/-45.0 PSF	TEST PRESSURE +75.0/-67.50 PSF
	TOLERANCES FRACTION = +/- 1/32 .X = +/- .032 .XX = +/- .015 .XXX = +/- .005 < -/- .5	MODELS 622IM-22 GAUGE 620IM-20 GAUGE 618IM-18 GAUGE	TEST LOCATION ELEMENT-ORLANDO 124 PREMIER ROAD ORLANDO, FL 32822
DRAWN BY: BCLLC ISSUE: 08-23-12	TEST REPORT # ESP010181P TEST DATES: 7/16/12 - 7/18/12		
DRAWING # 607-7-600IM			SHEET 1 OF 2