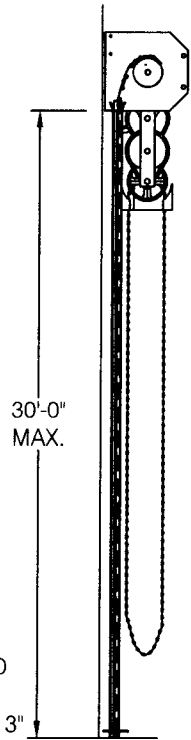


SLIDE BOLT LOCK ONE @ EACH JAMB

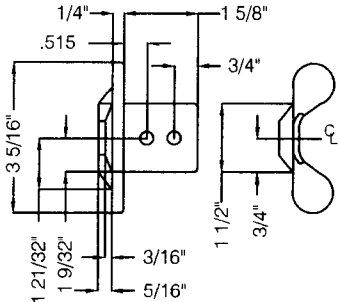
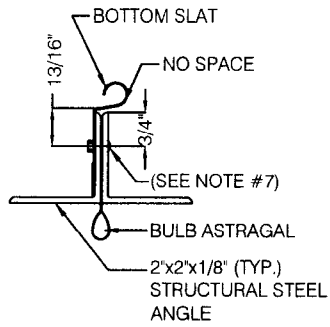
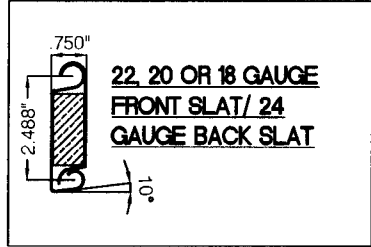
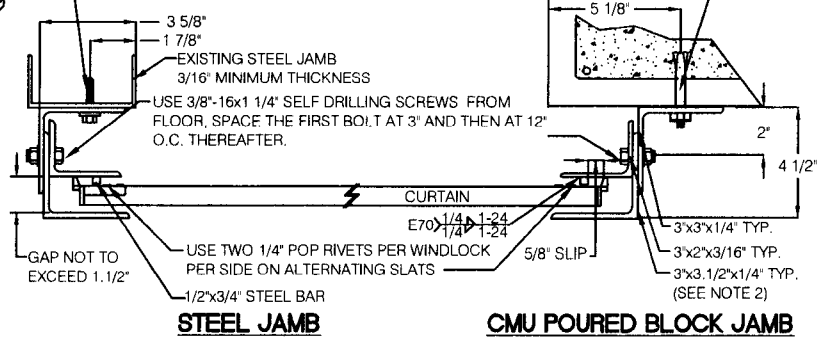
**INTERIOR ELEVATION**



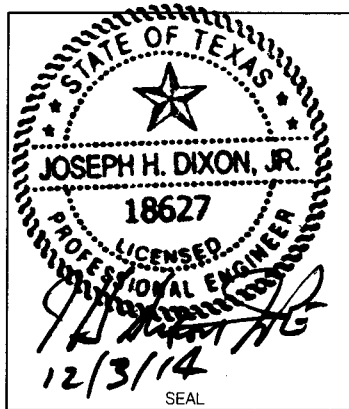
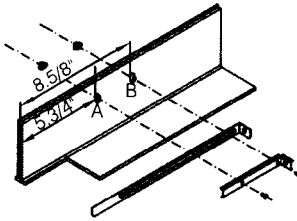
**SIDE ELEVATION**

FOR STEEL JAMBS USE 3/8"-16x1 1/4" SELF DRILLING SCREWS FROM FLOOR. SPACE THE FIRST BOLT AT 3" AND THEN AT 12" O.C. THEREAFTER.

FOR GROUT FILLED CMU JAMBS USE PORTEUS 1/2"x3" HEX HEAD SLEEVE ANCHORS w/ 2 1/4" MIN. EMBEDMENT AND FASTENED 4" FROM FLOOR AND ALTERNATING SPACES 10" AND 14" OFF CENTER THEREAFTER.



MATERIAL: CAST IRON



**ASTAAMERICA**  
BY JANUS INTERNATIONAL

4255 McEver Industrial Dr.  
Acworth, GA 30101  
PH: (770) 974-2600/Fax: (770) 974-1455  
www.astadoor.com

**600 SERIES INSULATED SLAT CERTIFIED WINDLOAD ROLLING STEEL SERVICE DOOR**

SCALE: VARIES (DO NOT SCALE DRAWINGS)

TOLERANCES

FRACTION = +/- 1/32

X = +/- .032

.XX = +/- .015

.XXX = +/- .005 < +/- 5

TEST SIZE	DESIGN PRESSURE	TEST PRESSURE
14'-0"W x 10'H	+/- 50.0 PSF	+/- 76.0 PSF
MODELS	TEST LOCATION	
622-22 GAUGE 620-20 GAUGE 618-18 GAUGE	ELEMENT-ORLANDO 124 PREMIER ROAD ORLANDO, FL 32822	

DRAWN BY: BCLLC  
ISSUE: 12-02-14