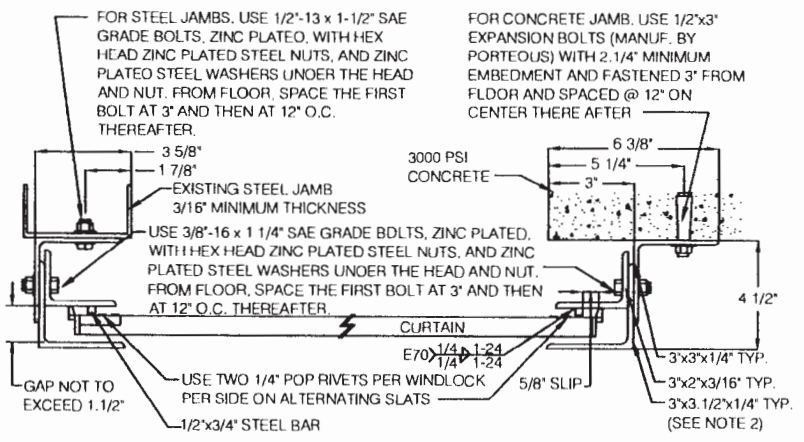


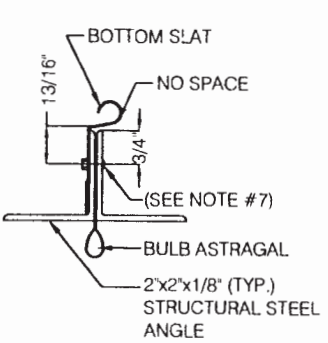
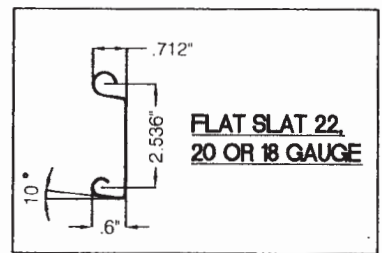
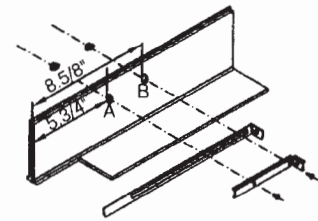
22, 20 OR 18 GAUGE GALVANIZED STEEL.  
 GALVANIZED ACCORDING TO A.S.T.M. A653-G90  
 AND FINISHED WITH BAKED EPOXY PRIMER AND  
 BAKED POLYESTER TOPCOAT (SEE NOTE 1)

SLIDE BOLT LOCK ONE @ EACH JAMB  
**INTERIOR ELEVATION**

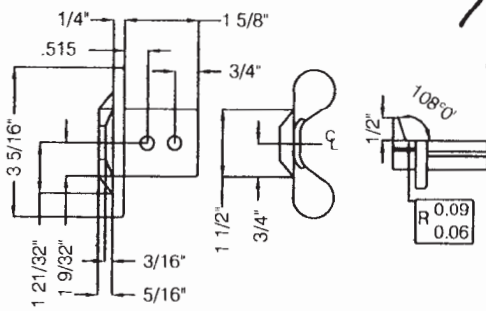
**SIDE ELEVATION**



**GUIDE DETAIL AND DIMENSIONS**

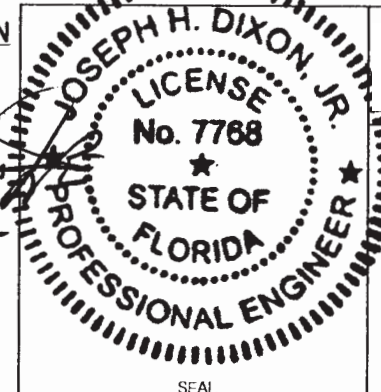


**BOTTOM BAR**



MATERIAL: CAST IRON  
**WINDLOCK**

*J. H. Dixon, Jr.*  
 8/24/12



ASTAAMERICA  
 BY JANUS INTERNATIONAL  
 4255 McEver Industrial Dr.  
 Acworth, GA 30101  
 PH: (770) 924-2600/Fax: (770) 974-1455  
 www.astadoor.com

**400 SERIES FLAT SLAT CERTIFIED  
 WINDLOAD AND IMPACT  
 RATED ROLLING STEEL SERVICE  
 DOOR**

SCALE: VARIES (DO NOT SCALE DRAWINGS)	<b>TEST SIZE</b> 18'-6"W x 10'H	<b>DESIGN PRESSURE</b> +/- 65.0	<b>TEST PRESSURE</b> +/- 62.5
TOLERANCES FRACTION = +/- 1/32 X = +/- .032 XX = +/- .015 .XXX = +/- .005 < = -/5	MODELS 422FIM-22 GAUGE 420FIM-20 GAUGE 418FIM-18 GAUGE	TEST LOCATION ELEMENT-ORLANDO 124 PREMIER ROAD ORLANDO, FL 32822	
DRAWN BY: BCLLC ISSUE: 08-23-12	TEST REPORT #ESP010181P TEST DATES: 6/18/12 - 6/21/12		