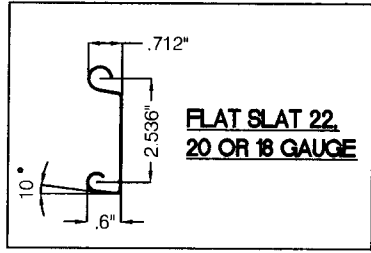


STEEL JAMB

CMU POURED BLOCK JAMB

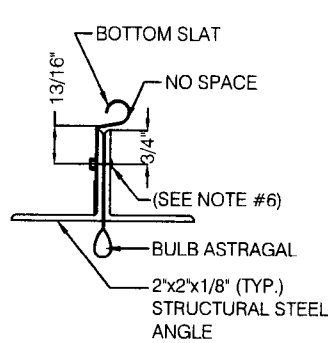


FLAT SLAT 22, 20 OR 18 GAUGE

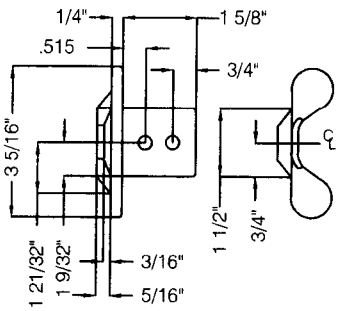
SLIDE BOLT LOCK ONE @ EACH JAMB

INTERIOR ELEVATION

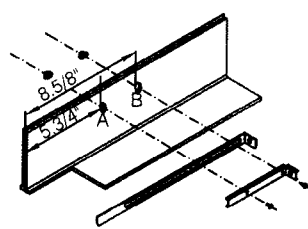
SIDE ELEVATION



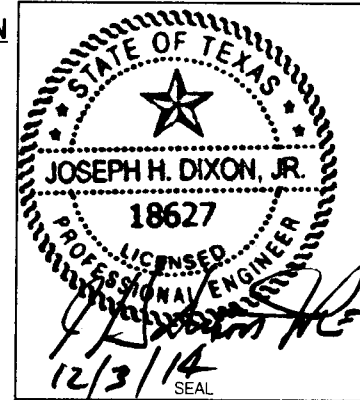
BOTTOM BAR



MATERIAL: CAST IRON
WINDLOCK



SLIDE BOLT LOCK



4255 McEver Industrial Dr.
Acworth, GA 30101
PH: (770) 974-2600/Fax: (770) 974-1455
www.astadoor.com

400 SERIES FLAT SLAT CERTIFIED WINDLOAD RATED ROLLING STEEL SERVICE DOOR

SCALE: VARIES (DO NOT SCALE DRAWINGS)
TOLERANCES
FRACTION = +/- 1/32
.X = +/- .032
.XX = +/- .015
.XXX = +/- .005 < +/- .5

DRAWN BY: BCLLC
ISSUE: 12-03-14

TEST SIZE 14'-0" x 10'	DESIGN PRESSURE +/- 500	TEST PRESSURE +/- 750
MODELS 422-22 GAUGE 420-20 GAUGE 418-18 GAUGE	TEST LOCATION ELEMENT-ORLANDO 124 PREMIER ROAD ORLANDO, FL 32822	