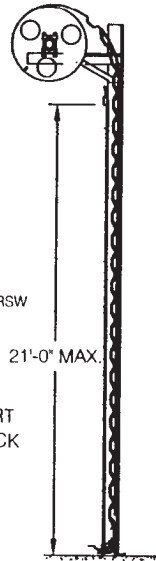
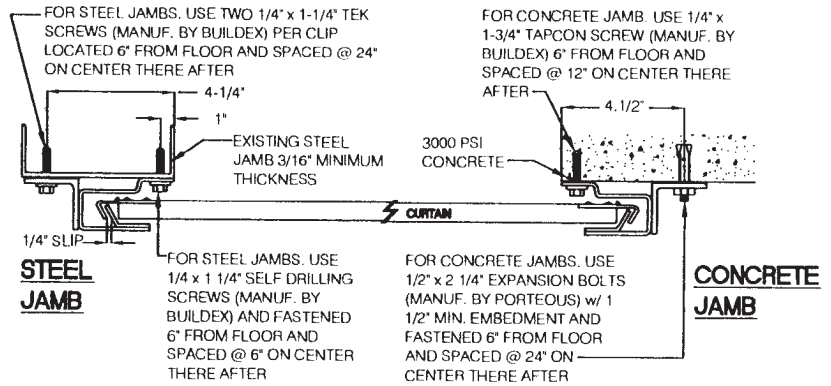


INTERIOR ELEVATION

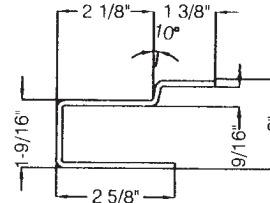


SIDE ELEVATION



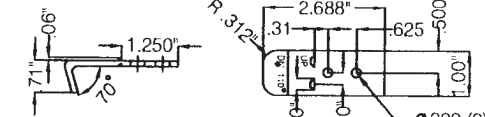
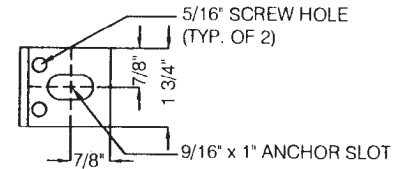
STEEL JAMB

CONCRETE JAMB



SEE NOTE #2

HEAVY DUTY GUIDE CLIP

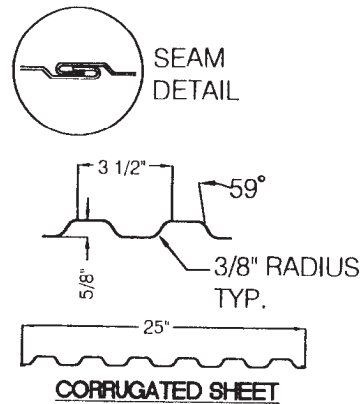


WINDLOCK CLIP

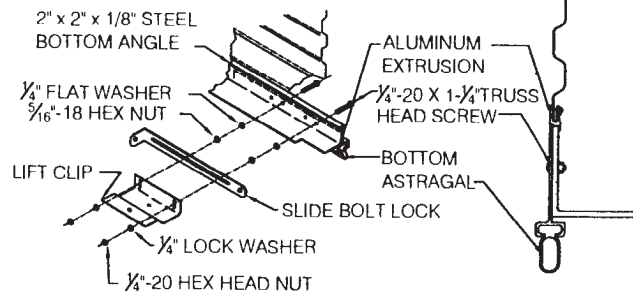
(SEE NOTE #4)

GUIDE INSERT

(SEE NOTE #3)

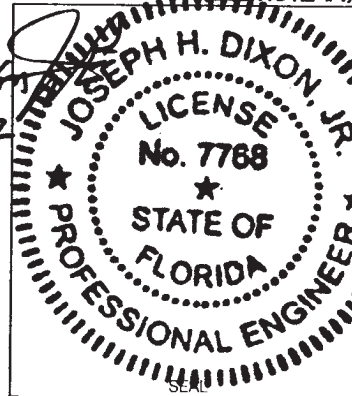


ONE LOCK LOCATED AT EACH END OF CURTAIN.



SLIDE BOLT LOCK AND BOTTOM BAR

Joseph H. Dixon, Jr.
8/24/12



ASTAAMERICA
BY JANUS INTERNATIONAL

255 McEver Industrial Dr.
Crowth, GA 30101
T: (770) 924-2600/Fax: (770) 974-1455
www.astadoor.com

MODEL 203IM IMPACT RATED WINDLOCK COMMERCIAL SHEET DOOR

TEST REPORT #ESP010520P
TEST DATES: 7/12/12 - 7/14/12

SCALE: VARIES (DO NOT SCALE DRAWINGS)

TOLERANCES
FRACTION = +/- 1/32
.X = +/- .032
.XX = +/- .015
.XXX = +/- .005 < +/- .5

TEST SIZE	DESIGN PRESSURE	TEST PRESSURE
14'-0" W x 10' H	+/- 4.00	+/- 60
MODELS 203IM 204IM	TEST LOCATION ELEMENT-ORLANDO 124 PREMIER ROAD ORLANDO, FL 32822	

DRAWN BY: BCLLC ISSUE: 08-23-12

DRAWING #507-2-203IM

SHEET 1 OF 2