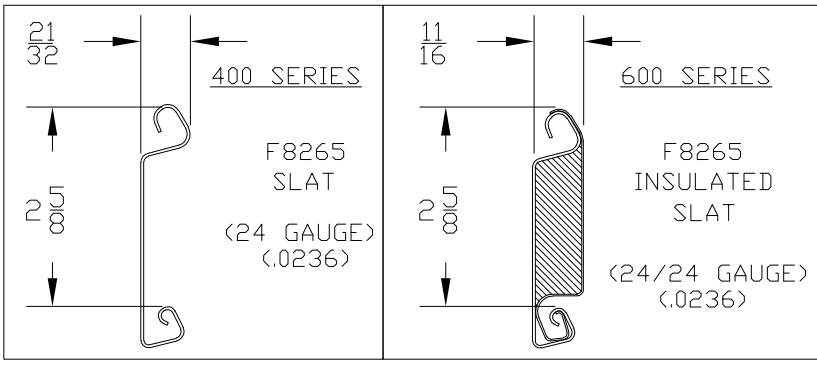
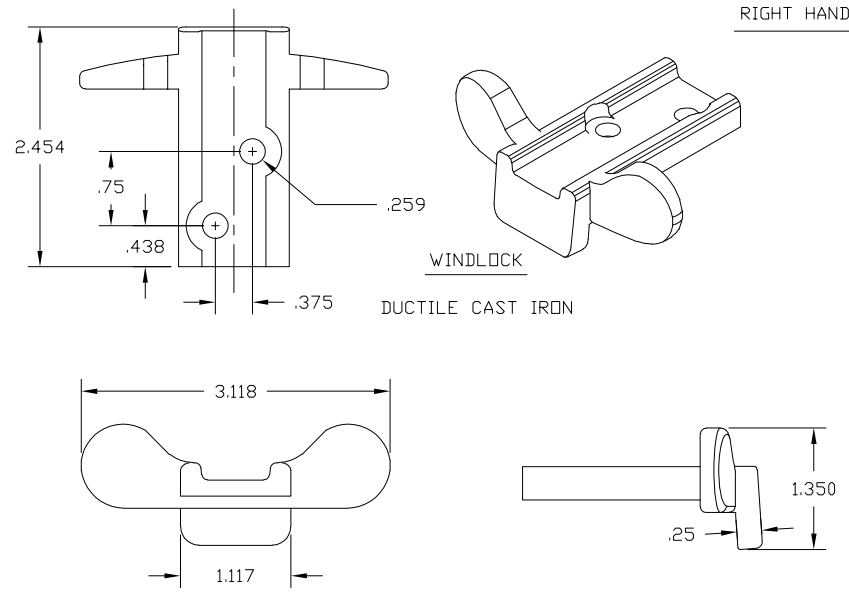
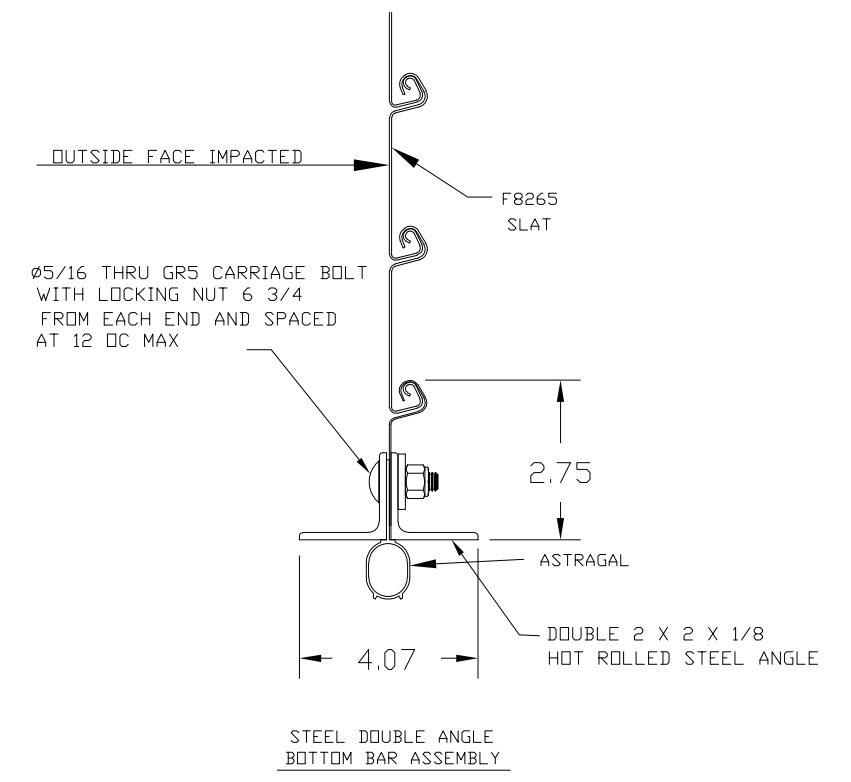
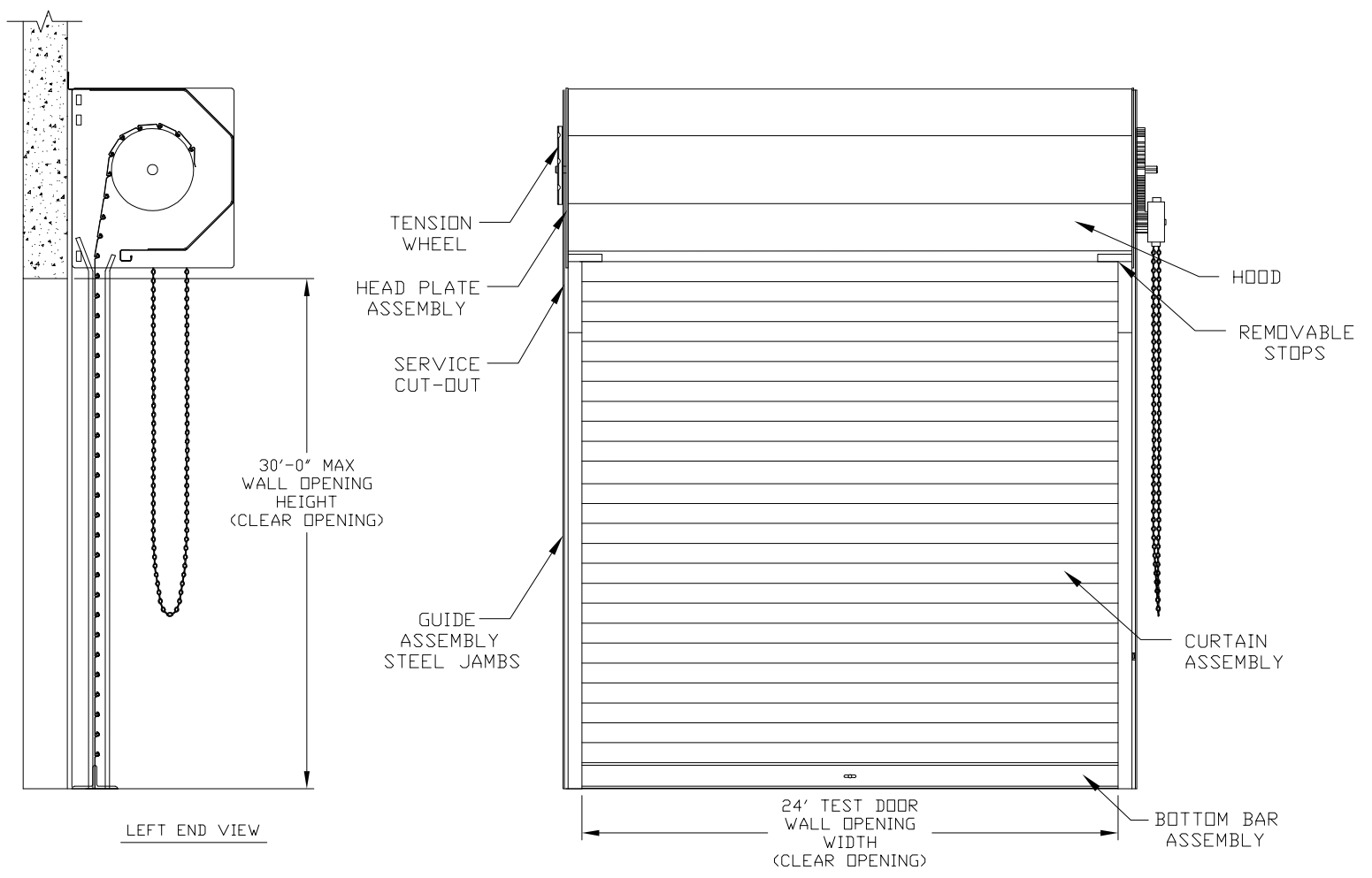


REVISIONS			
REV	DESCRIPTION	DATE	APPROVAL
—	DRAWING RELEASE	8-2-19	SR
A	ADDED CONCRETE JAMBS	10-14-19	SR
B	ADD'L PRESSURES & CMU JAMBS	12-14-19	SR
C	REVISE PRESSURE TABLE	6-1-20	SR

**ALLOWABLE TRANSVERSE DESIGN WIND LOADS  
NON-IMPACT & IMPACT RATED SERIES 400/600 DOORS  
(PSF)**

MAX OPENING WIDTH	MAX OPENING HEIGHT	DESIGN LOAD	
		NON-IMPACT RATED (PSF)	IMPACT RATED (PSF)
9'-0"	30'-0"	+97.7/-106.6	+55.0/-60.0
10'-0"	30'-0"	+88.0/-96.0	+55.0/-60.0
11'-0"	30'-0"	+80.0/-87.3	+55.0/-60.0
12'-0"	30'-0"	+73.3/-80.0	+55.0/-60.0
13'-0"	30'-0"	+67.6/-73.8	+55.0/-60.0
14'-0"	30'-0"	+62.8/-68.6	+55.0/-60.0
15'-0"	30'-0"	+58.6/-64.0	+55.0/-60.0
16'-0"	30'-0"	+55.0/-60.0	+55.0/-60.0
17'-0"	30'-0"	+49.0/-53.5	+28.8/-31.5
18'-0"	30'-0"	+45.0/-49.1	+28.8/-31.5
19'-0"	30'-0"	+41.2/-45.0	+28.8/-31.5
20'-0"	30'-0"	+37.7/-41.2	+28.8/-31.5
21'-0"	30'-0"	+35.0/-38.2	+28.8/-31.5
22'-0"	30'-0"	+32.0/-35.0	+28.8/-31.5
23'-0"	30'-0"	+30.2/-33.0	+28.8/-31.5
24'-0"	30'-0"	+28.8/-31.5	+28.8/-31.5
25'-0"	30'-0"	+27.0/-29.6	N/A
26'-0"	30'-0"	+25.4/-27.8	N/A
27'-0"	30'-0"	+24.0/-26.3	N/A
28'-0"	30'-0"	+22.7/-24.8	N/A
29'-0"	30'-0"	+21.5/-23.5	N/A
30'-0"	30'-0"	+20.4/-22.3	N/A
31'-0"	30'-0"	+19.4/-21.2	N/A
32'-0"	30'-0"	+18.4/-20.2	N/A



ASTM A653 GR 40 ZINC COATED STEEL  
PRE-PAINTED WITH FULL COAT OF PRIMER AND BAKED SILICONIZED POLYESTER FINISH COAT  
INSULATION FOAM IN PLACE  
POLYURETHANE

John E. Scates, P.E.  
2560 King Arthur Blvd, Ste 124-54  
Lewisville, TX 75056  
FL PE 51737  
TX PE 56308 / F2203

Professional Engineer's seal provided only for verification of windload construction details.

SEE SHEET 2 FOR NOTES

**CERTIFIED WIND LOAD AND IMPACT RATED  
400/600 SERIES ANGLE GUIDES ROLL-UP DOOR  
ASSEMBLY F8265 SLAT**

UNLESS OTHERWISE SPECIFIED, DIMENSIONS ARE IN INCHES AND TOLERANCES ARE:		APPROVALS		DATE	APPROVALS		DATE	PART NUMBER	DRAWING NUMBER
DRAWN		LAMAR TOWE		8-2-19	APPROVED		8-15-19	NA	400-IM-WL-C
CHECKED		SCOTT ROBILLARD		8-15-19				NA	NA
MATERIAL								UNIT OF MEASURE	SCALE
								NA	NONE
SIZE								B	
SHEET								1	2
REV								C	



ASTA Door Corporation  
638 Cassville White Rd NW  
Cartersville, GA 30121  
(770) 562-2850 Fax: (770) 562-1991  
Web Site: www.astadoor.com

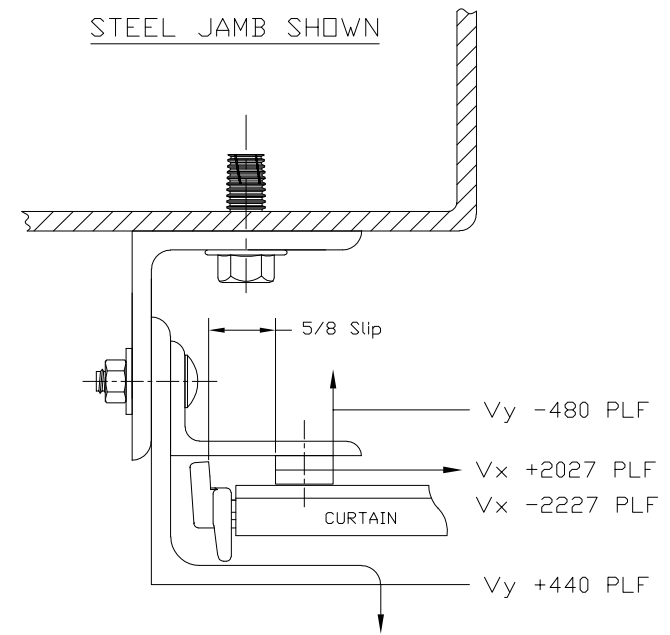
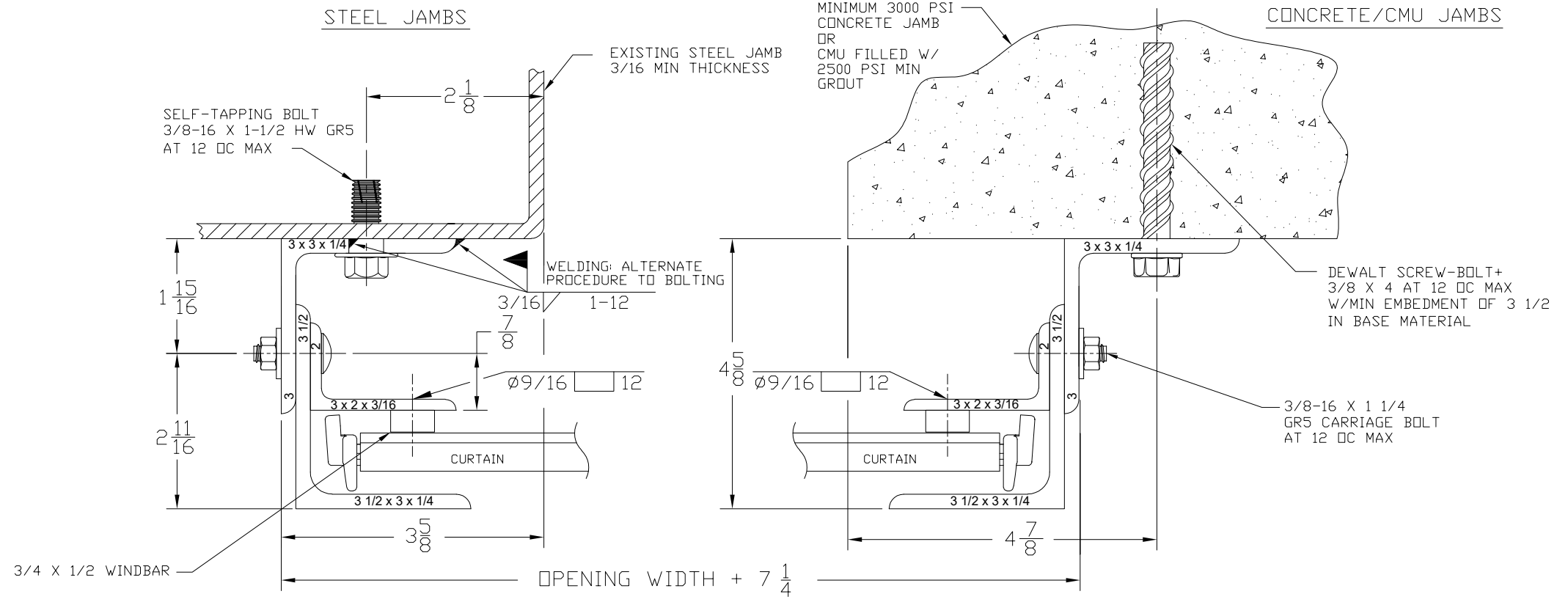
ANGLES	HOLE DIAMETERS	
± 0° 30'	UNDER .251	+0.04
DECIMAL		-0.03
.XX ±.03	.251 TO .500	+0.06
.XXX ±.005		-0.03
FRACTIONS	OVER .500	+0.08
± 1/16		-0.03

THESE CONFIDENTIAL DOCUMENTS SUBMITTED BY ASTA CONTAIN INFORMATION OF A PROPRIETARY NATURE AND MAY NOT BE REPRODUCED OR USED TO MANUFACTURE ANYTHING IN PART OR IN WHOLE FOR ANY PURPOSE OTHER THAN THAT WHICH IS NECESSARY FOR PREPARATION OF BIDS OR ENGINEERING WITHOUT THE EXPRESS PERMISSION OF ASTA WHICH MAY RECALL DOCUMENTS AT ANY TIME.

GENERAL NOTES

- THIS ROLL-UP DOOR SYSTEM IS DESIGNED IN ACCORDANCE WITH THE FLORIDA BUILDING CODE AND THE INTERNATIONAL BUILDING CODE. THE REQUIRED DESIGN WIND PRESSURES FOR A DOOR IN ANY PARTICULAR BUILDING SHALL BE DETERMINED IN ACCORDANCE WITH SECTION 1609 OF THE FBC. IN CODE JURISDICTIONS OUTSIDE OF FLORIDA, REQUIRED DESIGN WIND PRESSURES MAY BE DETERMINED IN ACCORDANCE WITH SECTION 1609 OF THE IBC OR WITH THE LOCAL BUILDING CODE IN EFFECT FOR THE SPECIFIC LOCATION.
- THIS ROLL-UP DOOR HAS BEEN SUCCESSFULLY TESTED ACCORDING TO THE UNIFORM STATIC AIR PRESSURE TEST PER ASTM E 330 AND ANSI/DASMA 108 TO SAFELY RESIST A POSITIVE AND NEGATIVE WIND LOAD AS NOTED BELOW. A TEST LOAD OF 1.5 X DESIGN LOAD HAS BEEN USED.  
DESIGN LOAD = +28.8 PSF  
-31.5
- THIS ROLL-UP DOOR HAS BEEN SUCCESSFULLY TESTED ACCORDING TO THE LARGE MISSILE IMPACT TEST PER ANSI/DASMA 115 WITH THE DIRECTION OF IMPACT BEING TOWARD THE OUTSIDE FACE OF THE CURTAIN SLATS. DOOR IS IMPACT RATED ONLY WHEN INSTALLED ON INSIDE OF AN EXTERIOR WALL. DOOR ALSO SUCCESSFULLY TESTED ACCORDING TO THE CYCLIC WIND PRESSURE LOADING TEST PER ANSI/DASMA 115.
- WIND LOADS FOR BUILDING OPENINGS SHALL BE DETERMINED BY A PROFESSIONAL ENGINEER USING APPROPRIATE WIND SPEED AND DESIGN CRITERIA. THIS DOOR MAY BE USED WHERE THE DESIGN LOAD MEETS OR EXCEEDS THE DESIGN LOAD FOR THE BUILDING OPENING.
- SUPERIMPOSED LOADS ON THE JAMBS FROM THIS DOOR ARE DESIGNED AS  $V_x$  AND  $V_y$  HEREIN. CONTRACTORS SHALL HAVE BUILDING ENGINEER VERIFY ADEQUACY OF BUILDING STRUCTURE TO RESIST SUPERIMPOSED LOADS  $V_x$ ,  $V_y$
- ALL WELDING SHALL BE PERFORMED BY QUALIFIED WELDERS IN ACCORDANCE WITH AWS SPECIFICATIONS, LATEST EDITION. ALL WELDING ELECTRODES SHALL CONFORM TO AWS A5.1 GRADE E-70.
- ALL BOLTS AND WASHERS SHALL BE GALVANIZED OR STAINLESS STEEL WITH A MINIMUM TENSILE STRENGTH OF 60 KSI.
- ANCHOR NOTES:  
A. EMBEDMENT LENGTH DOES NOT INCLUDE STUCCO FINISH.  
B. ANCHORS SHALL BE INSTALLED IN ACCORDANCE WITH MANUFACTURER'S SPECIFICATIONS.
- DOOR OPERATION TYPE TO BE PUSH-UP, HAND CHAIN, HAND CRANK OR ELECTRIC.
- GUIDE TO JAMB ATTACHMENT FASTENERS IN OPENING AREA BEGIN 2" FROM FLOOR AND ARE SPACED 12" OC MAX THROUGH TOP OF WALL OPENING.
- TEST DOOR WALL OPENING SIZE: 24'-0" x 10'-0".
- WINDLOCKS ATTACHED TO EVERY OTHER SLAT BEGINNING AT BOTTOM SLAT (ALTERNATING). WINDLOCKS FASTENED TO SLATS UTILIZING TWO SWAGED MALLEABLE CAST STUDS, .24 BASE DIAMETER, PER WINDLOCK.
- ALTERNATE SLAT GAUGES OF 22 (.0296), 20 (.0356), OR 18 (.0466) MAY BE SUBSTITUTED, BUT WITH NO INCREASE IN DESIGN LOAD RATING.
- SLIP AND SUPERIMPOSED LOADS ARE THE SAME FOR ALL JAMB TYPES.

REVISIONS			
REV	DESCRIPTION	DATE	APPROVAL
—	DRAWING RELEASE	8-2-19	SR
A	ADDED CONCRETE JAMBS	10-14-19	SR
B	ADD'L PRESSURES & CMU JAMBS	12-14-19	SR
C	REVISE PRESSURE TABLE	6-1-20	SR



John E. Scates, P.E.  
2560 King Arthur Blvd, Ste 124-54  
Lewisville, TX 75056  
FL PE 51737  
TX PE 56308 / F2203

Professional Engineer's seal provided only for verification of windload construction details.

**CERTIFIED WIND LOAD AND IMPACT RATED  
400/600 SERIES ANGLE GUIDES ROLL-UP DOOR  
ASSEMBLY F8265 SLAT**



ASTA Door Corporation  
638 Cassville White Rd NW  
Cartersville, GA 30121  
(770) 562-2850 Fax: (770) 562-1991  
Web Site: www.astadoor.com

UNLESS OTHERWISE SPECIFIED, DIMENSIONS ARE IN INCHES AND TOLERANCES ARE:		APPROVALS		DATE		PART NUMBER	DRAWING NUMBER 400-IM-WL-C			
DRAWN		LAMAR TOWE		8-2-19		NA				
CHECKED		SCOTT ROBILLARD		8-15-19		NA	APPLIED FINISH NA			
THESE CONFIDENTIAL DOCUMENTS SUBMITTED BY ASTA CONTAIN INFORMATION OF A PROPRIETARY NATURE AND MAY NOT BE REPRODUCED OR USED TO MANUFACTURE ANYTHING IN PART OR IN WHOLE FOR ANY PURPOSE OTHER THAN THAT WHICH IS NECESSARY FOR PREPARATION OF BIDS OR ENGINEERING WITHOUT THE EXPRESS PERMISSION OF ASTA WHICH MAY RECALL DOCUMENTS AT ANY TIME.						UNIT OF MEASURE	SIZE	SCALE	SHEET OF	REV
						NA	<b>B</b>	NONE	2 2	C

ANGLES	HOLE DIAMETERS	
± 0° 30'	UNDER .251	+0.04
DECIMAL		-0.03
.XX ±.03	.251 TO .500	+0.06
.XXX ±.005		-0.03
FRACTIONS	OVER .500	+0.08
± 1/16		-0.03